

**JST**

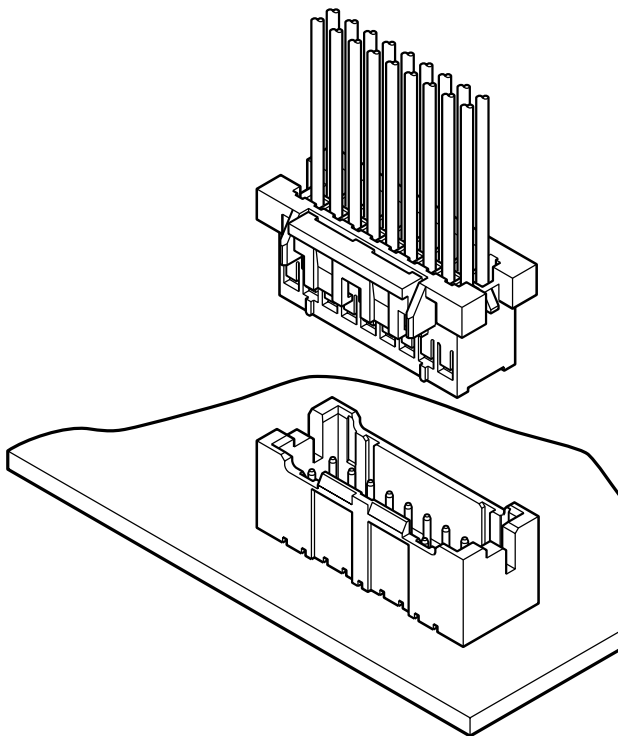
Crimp

**2.5mm**  
(.098") pitch

# XAD CONNECTOR

*Disconnectable Crimp style connectors*

**Double-row construction connector with secure locking device**



## Features

### • **Locking device**

The housing has a locking device which securely mates with the header, preventing accidental disconnection resulting from external forces such as the routing of wires during assembly process or vibration.

### • **Solder crack preventive material**

Header wafer is made of glass-filled PA66 nylon thus effective against solder cracking.

### • **Polarizing boss**

Headers with polarizing bosses are also available.


### • **Mis-insertion preventive design**

Housing ribs prevents mis-insertion of the housing into the header.


## Specifications

- Current rating: 3A AC,DC (AWG#20)
  - Voltage rating: 250V AC,DC
  - Temperature range: -25°C to +85°C  
(including temperature rise in applying electrical current)
  - Contact resistance: Initial value/10m max.  
After environmental testing/20m max.
  - Insulation resistance: 1,000M min.
  - Withstanding voltage: 1,000V AC/minute
  - Applicable wire: AWG #28 to #20
  - Applicable PC board thickness: 1.6mm (.063")
- \* Contact JST for details.

## Standards

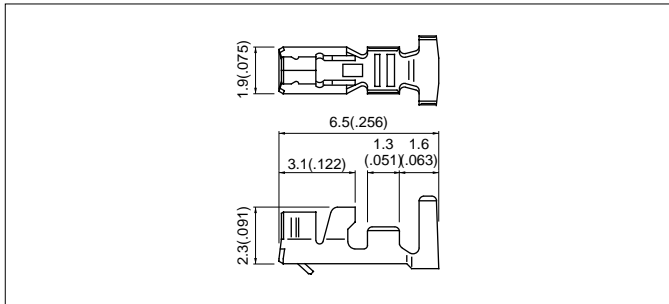
 Recognized E60389

 Certified LR20812

 R9851219

# XAD CONNECTOR

## Contact



Model No.	Applicable wire			Q'ty / reel
	mm <sup>2</sup>	AWG#	Insulation O.D. mm(in.)	
<b>SXA- 01T-P0.6</b>	0.22 to 0.5	24 to 20	1.5 to 1.9(.059 to .075)	8,000
<b>SXA-001T-P0.6</b>	0.08 to 0.33	28 to 22	1.2 to 1.9(.047 to .075)	8,000
<b>SXA-001T-P0.6L</b>	0.13 to 0.33	26 to 22	1.3 to 1.7(.051 to .067)	8,000

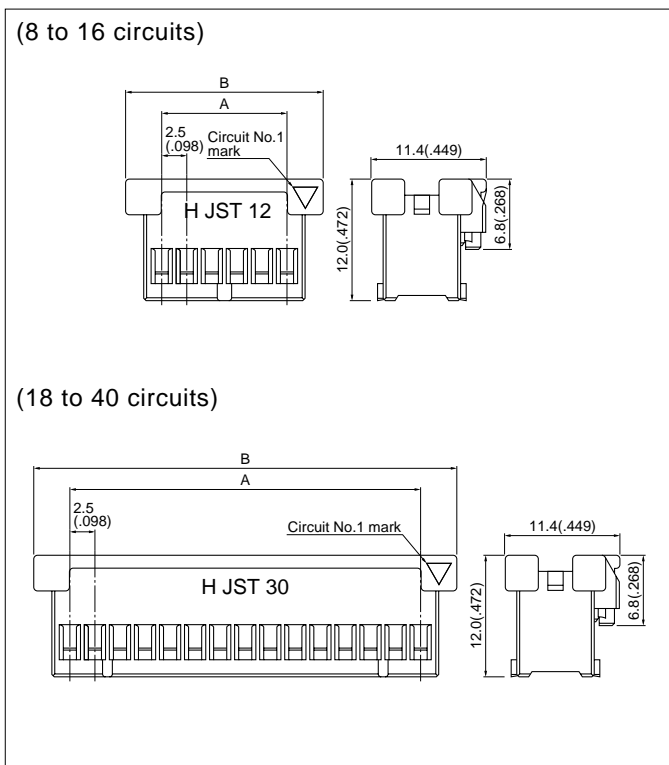
### Material and Finish

Phosphor bronze, tin-plated

Note: 1. Contact JST if retainers are required.

2. SXA-001T-P0.6L is low-insertion force type contact, for easier insertion / withdrawal, which would be less resistant to the vibration. The crimp height is different from the standard contact.

## Housing



Circuits	Model No.	Dimensions mm(in.)		Q'ty / bag
		A	B	
8	<b>XADRP-08V</b>	7.5(.295)	14.7(.579)	1,000
10	<b>XADRP-10V</b>	10.0(.394)	17.2(.677)	1,000
12	<b>XADRP-12V</b>	12.5(.492)	19.7(.776)	1,000
14	<b>XADRP-14V</b>	15.0(.591)	22.2(.874)	1,000
16	<b>XADRP-16V</b>	17.5(.689)	24.7(.972)	1,000
18	<b>XADRP-18V</b>	20.0(.787)	27.2(1.071)	1,000
20	<b>XADRP-20V</b>	22.5(.886)	29.7(1.169)	500
22	<b>XADRP-22V</b>	25.0(.984)	32.2(1.268)	500
24	<b>XADRP-24V</b>	27.5(1.083)	34.7(1.366)	500
26	<b>XADRP-26V</b>	30.0(1.181)	37.2(1.465)	500
28	<b>XADRP-28V</b>	32.5(1.280)	39.7(1.563)	500
30	<b>XADRP-30V</b>	35.0(1.378)	42.2(1.661)	500
32	<b>XADRP-32V</b>	37.5(1.476)	44.7(1.760)	500
34	<b>XADRP-34V</b>	40.0(1.575)	47.2(1.858)	500
36	<b>XADRP-36V</b>	42.5(1.673)	49.7(1.957)	250
40	<b>XADRP-40V</b>	47.5(1.870)	54.7(2.154)	250

### Material

Nylon 66, UL94V-0, natural (white)

Note: Contact JST if retainers are required.

<For reference> As the color identification, the following alphabet shall be put in the underlined part. For availability, delivery and minimum order quantity, contact JST.

ex. XADRP-08V-oo

(blank)...natural (white)

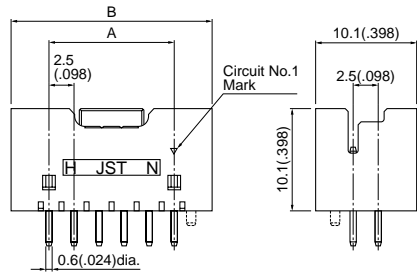
K...black R...red E...blue O...orange M...green

L...lemon yellow PK...pink

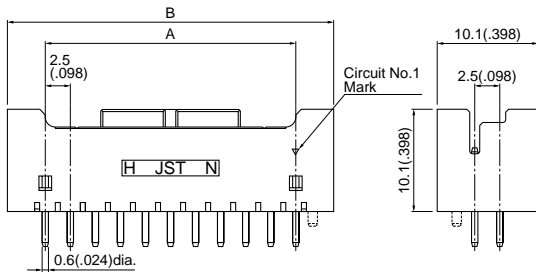
## Shrouded header

### Top entry type

(8 to 16 circuits)

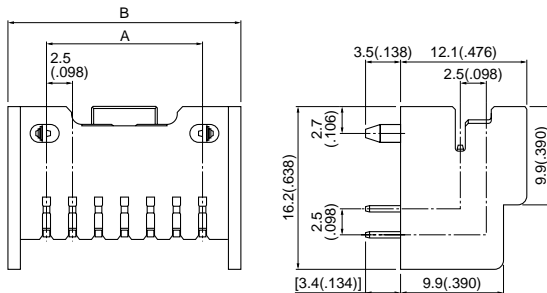


(18 to 40 circuits)

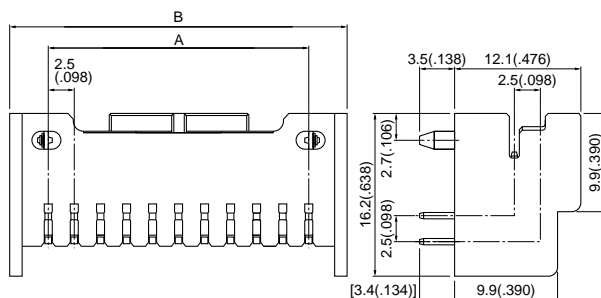


### Side entry type

(8, 14 circuits)



(26 circuits)



Circuits	Model No.			Dimension mm(in.)		Q'ty / box	
	Top entry type		Side entry type	A	B	Top entry type	Side entry type
	Without a boss	With a boss					
8	<u>B08B-XADSS-N</u>	<u>B08B-XADSS-N-A</u>	<u>S08B-XADSS-N</u>	7.5(.295)	15.0(.591)	200	270
10	<u>B10B-XADSS-N</u>	<u>B10B-XADSS-N-A</u>	<u>S10B-XADSS-N</u>	10.0(.394)	17.5(.689)	200	234
12	<u>B12B-XADSS-N</u>	<u>B12B-XADSS-N-A</u>	<u>S12B-XADSS-N</u>	12.5(.492)	20.0(.787)	200	-
14	<u>B14B-XADSS-N</u>	<u>B14B-XADSS-N-A</u>	<u>S14B-XADSS-N</u>	15.0(.591)	22.5(.886)	200	180
16	<u>B16B-XADSS-N</u>	<u>B16B-XADSS-N-A</u>	-	17.5(.689)	25.0(.984)	100	-
18	<u>B18B-XADSS-N</u>	<u>B18B-XADSS-N-A</u>	-	20.0(.787)	27.5(1.083)	100	-
20	<u>B20B-XADSS-N</u>	<u>B20B-XADSS-N-A</u>	<u>S20B-XADSS-N</u>	22.5(.886)	30.0(1.181)	100	126
22	<u>B22B-XADSS-N</u>	<u>B22B-XADSS-N-A</u>	-	25.0(.984)	32.5(1.280)	100	-
24	<u>B24B-XADSS-N</u>	<u>B24B-XADSS-N-A</u>	-	27.5(1.083)	35.0(1.378)	100	-
26	<u>B26B-XADSS-N</u>	<u>B26B-XADSS-N-A</u>	<u>S26B-XADSS-N</u>	30.0(1.181)	37.5(1.476)	100	108
28	<u>B28B-XADSS-N</u>	<u>B28B-XADSS-N-A</u>	-	32.5(1.280)	40.0(1.575)	100	-
30	<u>B30B-XADSS-N</u>	<u>B30B-XADSS-N-A</u>	-	35.0(1.378)	42.5(1.673)	50	-
32	<u>B32B-XADSS-N</u>	<u>B32B-XADSS-N-A</u>	-	37.5(1.476)	45.0(1.772)	50	-
34	<u>B34B-XADSS-N</u>	<u>B34B-XADSS-N-A</u>	-	40.0(1.575)	47.5(1.870)	50	-
36	<u>B36B-XADSS-N</u>	<u>B36B-XADSS-N-A</u>	-	42.5(1.673)	50.0(1.969)	50	-
40	<u>B40B-XADSS-N</u>	<u>B40B-XADSS-N-A</u>	-	47.5(1.870)	55.0(2.165)	50	-

### Material

Pin: Copper alloy, copper-undercoated, tin/lead plated  
 Wafer: Glass-filled nylon 66, UL94V-0, natural (white)

<For reference> As the color identification, the following alphabet shall be put in the underlined part. For availability, delivery and minimum order quantity, contact JST.

ex. B08B-XADSS-N

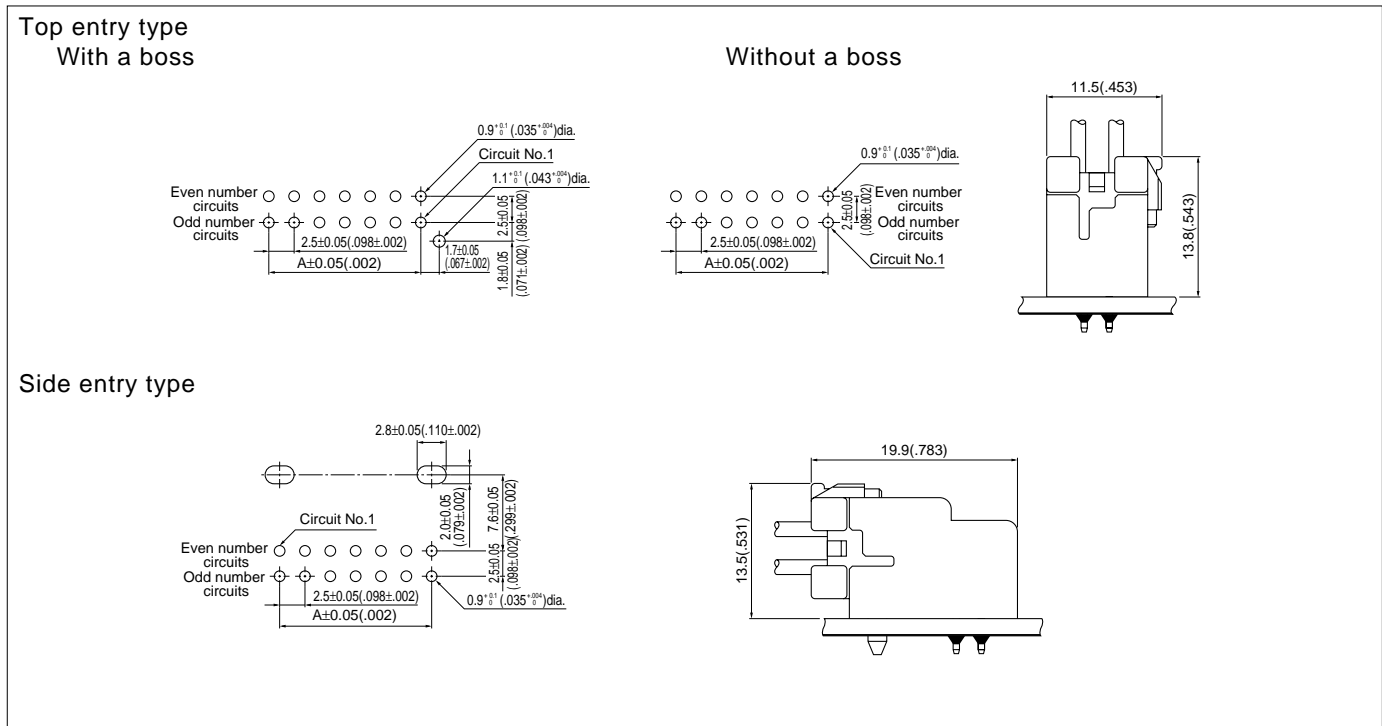
(blank)...natural (white)

K...black R...red E...blue O...orange M...green

L...lemon yellow PK...pink

# XAD CONNECTOR

## PC board layout (viewed from component side) and Assembly layout



**Note:**

1. Tolerances are non-Cumulative: ±0.05mm (±.002") for all centers.
2. Hole dimensions differ according to the kind of PC board and piercing method.  
The dimensions above should serve as a guide line. Contact JST for details.

## Applicator for the semi-automatic press AP-K2N

Contact	Crimp applicator MKS-L		Compact crimp applicator MKS-LS		Strip-crimp applicator MKS-SC
	with safety cover	without safety cover	with safety cover	without safety cover	with safety cover
SXA-001T-P0.6	APLMK SXA/M001-06	APLNC SXA/M001-06	-	-	APLSC SXA/M001-06
SXA-001T-P0.6L	APLMK SXA/M001-06L	APLNC SXA/M001-06L	-	-	APLSC SXA/M001-06L
SXA-01T-P0.6	APLMK SXA01-06	APLNC SXA01-06	-	-	-